

"Low NOx" light oil burners



Focus Pro

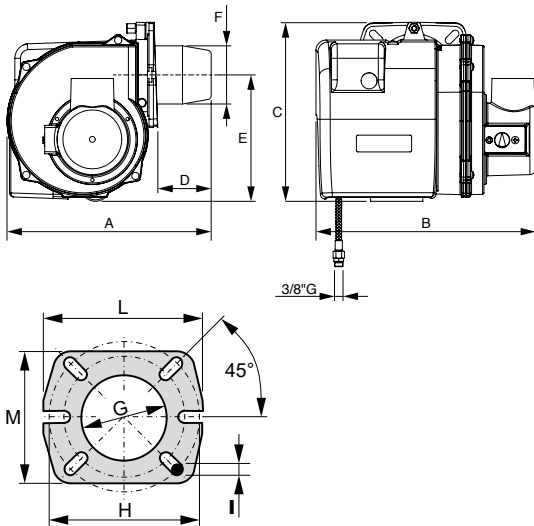
Low NOx single-stage light oil burners

- Very low polluting emissions (lower than required by Class 3 - EN 267 <120 mg/kWh)
- Supplied complete with nozzle, hoses, light oil line filter and 7-pin plug and connection flange
- R version complete with light oil preheater
- Easy access to the air damper adjustments
- Ductable air intake

Range

- FOCUS PRO single-stage burners
- FOCUS PRO R single-stage burners with light oil preheater

Dimensions (in mm)



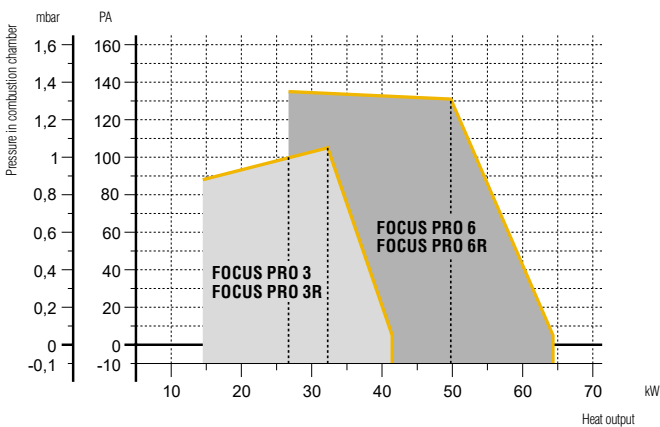
Focus Pro

Burner code	Burner model
0U3T6AXD	FOCUS PRO 3
0U3T6RXD	FOCUS PRO 3R
0U3T8AXD	FOCUS PRO 6
0U3T8RXD	FOCUS PRO 6R

NB: products available on stock

Model	G	H (min)	H (max)	I	L	M	Weight
	Ø mm	Ø mm	Ø mm	Ø mm	Ø mm	cm	kg
FOCUS PRO 3	85	135	160	M8	170	144	10
FOCUS PRO 3R	85	135	160	M8	170	144	10.1
FOCUS PRO 6	85	135	160	M8	170	144	10
FOCUS PRO 6R	85	135	160	M8	170	144	10.1

Working range



Model	Flow rate	Heat output	Motor	A	B	C	D	E	F
	kg/h	kW	230V ~ 50Hz	mm	mm	mm	mm	mm	mm
FOCUS PRO 3	1.2 - 3.5	14.5 - 41.5	100 W single	280	305	245	75	175	80
FOCUS PRO 3R	1.2 - 3.5	14.5 - 41.5	100 W single	280	305	245	75	175	80
FOCUS PRO 6	2.2 - 5.4	26.2 - 64.3	100 W single	280	305	245	75	175	80
FOCUS PRO 6R	2.2 - 5.4	26.2 - 64.3	100 W single	280	305	245	75	175	80