



Eco, Eco R

Single-stage burners

- External adjustment of the air and combustion head.
- Stabilised ventilation. Excellent combustion thanks to uniform air distribution. Hood. Compact dimensions.

Range

- ECO single-stage burners
- ECO R single-stage burners with preheater
- ECO/L single-stage burners with long nozzle
- ECO R ST single-stage burners with preheater and with optional external air intake

Eco

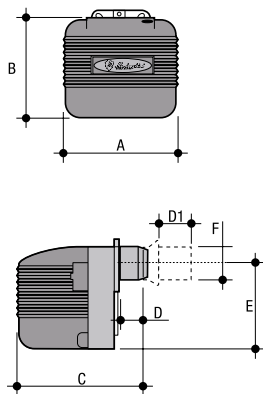
Burner code	Burner model
Z300840005	ECO 3
Z300841221	ECO 5N
Z300870013	ECO 8
Z300870003	ECO 10
Z300845650	ECO 10/L
Z300841283	ECO 15
Z300845660	ECO 15/L
Z300870053	ECO 20
Z300845670	ECO 20/L
Z300840602	ECO 22
Z300870151	ECO 30

Eco R models with pre-heater

Z300840017	ECO 3R
Z300841231	ECO 5RN
Z300840413	ECO 7R

Dimensions (in mm)

Eco, Eco R



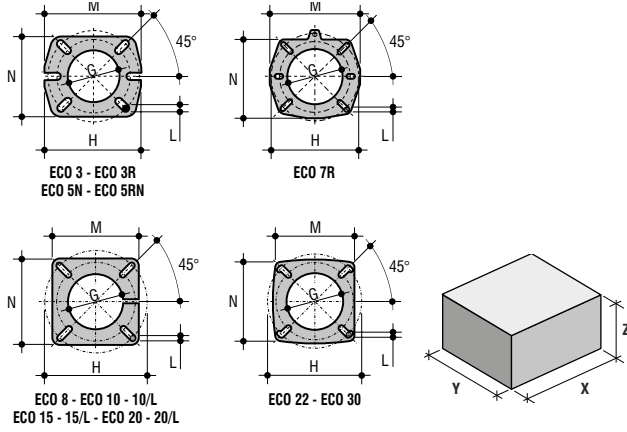
NB: products available on stock

NB: The burners of the Eco series (Eco - Eco R - Eco RN) can only be sold and installed in conformity with EU regulation 813/2013 (Art. 1, Paragraph 2, Section G)

Model	Flow rate kg/h	Heat output kW	Motor 230V ~ 50Hz	A mm	B mm	C mm	D mm	D1 mm	E mm	F mm
ECO 3	1.4 - 3	16.6 - 35.6	100 W single	250	215	320	90	-	160	80
ECO 5N	2.5 - 5	29.6 - 59.3	100 W single	280	247	342	90	-	195	80
ECO 8	3 - 8.5	35.6 - 100.8	100 W single	230	285	465	-	60 - 120	232	89
ECO 10	5 - 10.5	59.3 - 124.5	100 W single	230	285	483	-	60 - 125	232	114
ECO 10/L	5.0 - 10.5	59.3 - 124.5	100 W single	230	285	618	-	60 - 260	232	114
ECO 15	7 - 14.8	83 - 175.5	185 W single	275	340	550	-	80 - 150	274	114
ECO 15/L	7.0 - 14.8	83.0 - 175.5	185 W single	275	340	685	-	80 - 285	274	114
ECO 20	11 - 21	128 - 249	185 W single	275	340	535	-	60 - 135	274	114
ECO 20/L	11.0 - 21.0	128.0 - 249.0	185 W single	275	340	700	-	60 - 300	274	114
ECO 22	11.5 - 22	136.4 - 261	250 W single	360	350	576	-	60 - 200	275	120
ECO 30	16 - 30	190 - 356	370 W single	420	423	770	-	70 - 320	350	135
ECO 3R	1.2 - 3	14.2 - 35.6	100 W single	250	215	320	90	-	160	80
ECO 5RN	2.6 - 5	30.8 - 59.3	100 W single	280	247	342	90	-	195	80
ECO 7R	4.4 - 7.3	52.2 - 86.6	100 W single	280	247	410	-	40 - 140	195	90

Light oil burners

Connection flange, Packaging and Weight



Model	G	H	L	M	N	Dimensions XYZ cm	Weight kg
	Ø mm	Ø mm	Ø mm	Ø mm	Ø mm		
ECO 3	85	135 - 160	M8	170	144	45 x 34 x 31	11.3
ECO 5N	85	135 - 160	M8	170	144	45 x 34 x 31	12.5
ECO 8	95	127 - 198	M8	160	160	52 x 37 x 28	12.6
ECO 10	120	155 - 210	M8	180	180	52 x 37 x 28	12.6
ECO 15	120	155 - 210	M8	180	180	63 x 33 x 40	16
ECO 20	120	155 - 210	M8	180	180	63 x 33 x 40	17
ECO 22	135	160 - 225	M10	225	205	76 x 44 x 40	23
ECO 30	145	172 - 225	M10	225	205	96 x 50 x 54	33.5
ECO 10/L	120	110 - 150	M8	180	180	55.5 x 29.5 x 39	13
ECO 15/L	120	110 - 150	M8	180	180	64 x 33.5 x 40	15
ECO 20/L	120	110 - 150	M8	180	180	64 x 33.5 x 40	15
ECO 3R	85	135 - 160	M8	170	144	45 x 34 x 31	11.5
ECO 5RN	85	135 - 160	M8	170	144	45 x 34 x 31	12.6
ECO 7 R	95	135 - 160	M8	180	154	45 x 34 x 31	13.6

Working range

