



2ST

Lmb LO

Two-stage (2ST) light oil burners

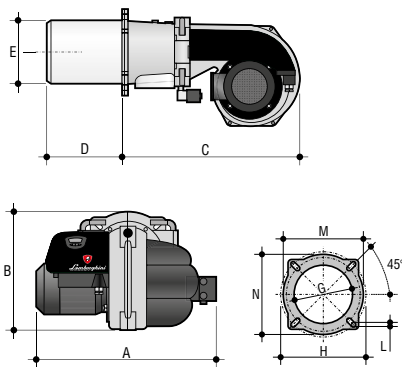
- Adjustment of the combustion head. BC version with short nozzle. BL version with long nozzle. Electric servo control on the air damper. Stabilised ventilation. Electrical panel.

NB: products delivered within 3 weeks from the date of the order

NB: The burners of the LMB LO 300 series can only be sold and installed in conformity with EU regulation 813/2013 (Art. 1, Paragraph 2, Section G)

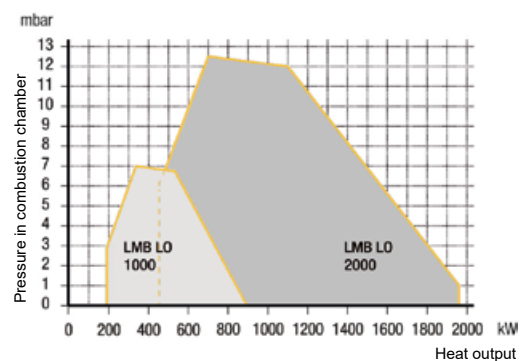
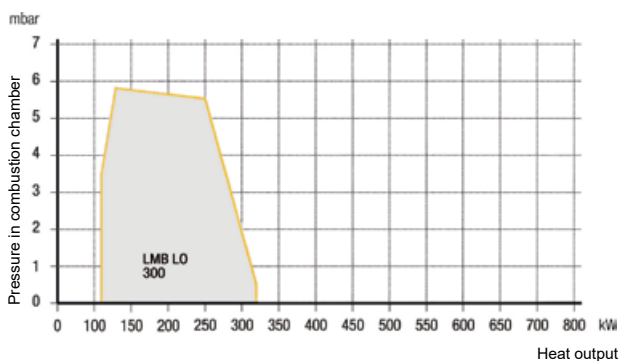
Burner code	Burner model
Z300845960	LMB LO 300 BC - 2ST
Z300845281	LMB LO 1000 BC - 2ST
Z300845301	LMB LO 1000 BL - 2ST
Z300845361	LMB LO 2000 - 2ST

Dimensions, connection flange



Model	A	B	C	D	E	G	H	L	M	N
	mm	mm	mm	mm	∅ mm	∅ mm	∅ mm	mm	mm	mm
LMB LO 300 BC	480	340	370	230	124	135	194 ÷ 234	M12	216	216
LMB LO 1000 BC	560	370	540	230	196	205	246 ÷ 286	M12	268	268
LMB LO 1000 BL	560	370	540	320	196	205	246 ÷ 286	M12	268	268
LMB LO 2000	650	440	620	340	244	255	294 ÷ 334	M12	316	316

Working range



Model	Flow rate kg/h	Heat output kW	Motor 230V/400V ~ 50Hz	Packaging dimensions cm	Weight kg
LMB LO 300 BC	9,7 ÷ 30,4	115 ÷ 360	370 W single phase	70 x 60 x 60	18
LMB LO 1000 BC / BL	16,1 ÷ 80,0	192 ÷ 950	1100 W three phase	102 x 60 x 44	33
LMB LO 2000	59,8 ÷ 166,0	452 ÷ 1976	3000 W three phase	104 x 68 x 56	42