

Lamborghini
CALORECLIMA



Idola Life M 26T-35T

Monobloc air-water heat pump with natural refrigerant

IDOLA LIFE M

EFFICIENCY, SUSTAINABILITY, AND COMFORT IN ONE HEAT PUMP



The new Lamborghini CaloreClima **IDOLA LIFE M** air-to-water heat pump is the result of Lamborghini CaloreClima's efforts to incorporate new, increasingly efficient and sustainable solutions into the market.

The unit incorporates a natural refrigerant (**R290**) with a very low environmental impact (**GWP 3**), in response to Lamborghini CaloreClima's concern for the environment.

In addition, it has high performance in heating, cooling and DHW production, which minimises the electrical consumption of the equipment. In this way, the user benefits from a lower economic cost in their electricity bill.

If we add to this the fact that it can be combined with a photovoltaic installation, it becomes an even more efficient and sustainable solution. **Its capacity to produce hot water up to 85°C without external support allows a high DHW production capacity, much higher than other heat pumps, which means more comfort for the user.**

In combination in cascade with several Uds. and combined also with other Lamborghini CaloreClima equipment such as DHW inter-accumulators, it's the perfect solution for both new buildings and refurbishments, and can be perfectly integrated with any type of thermal terminal as radiators, fancoils or underfloor heating.

NATURAL REFRIGERANT R290

READY FOR THE FUTURE... NOW!



What is it and why use it?

R290 is a natural hydrocarbon refrigerant with a low environmental impact.

It has a **GWP** (Global Warming Potential) of only **3**, which is very low compared to other currently used refrigerants such as R32 (WGP 675) or R410a (GWP 2088).

This means that in the event of a leakage of 1 kg of R290 refrigerant, the warming of the atmosphere that would occur is 225 times less than in the case of leakage of 1 kg of R32 or 696 times less in the case of R410.

From a sustainable and environmental point of view, this makes R290 the most suitable refrigerant at the moment, and probably in the coming years.

In addition, it has very good thermodynamic performance compared to these other refrigerants (R32, R410a), which makes it possible to obtain: higher water supply temperature in heating and DHW extended working ranges, being able to operate with temperatures from -25°C to 48°C, better performance in heating, cooling and DHW lower refrigerant charges in the equipment. More compact equipment.

Finally, the refrigerant R290 is out of the scope of the prohibitions of the F-GAS regulation (Reg UE 2024/573).

Its low environmental impact, coupled with its high thermodynamic performance, makes it the ideal refrigerant for achieving a successful transition to more efficient, sustainable and environmentally friendly air-water heat pumps.

HIGH EFFICIENCY

TOP PERFORMANCES



The high energy rating and performance of the IDOLA LIFE M allows high efficiency to be achieved while reducing the user's energy costs.



Its high energy rating (A⁺⁺⁺) (*) together with a high SCOP of up to 4.95 (**) generates more savings compared to other air-to-water heat pumps and enables high energy savings.



SCOP in heating up to 4.95

Pay for 1 kW electricity - Obtain 4.95 kW energy for heating **(3.95 kW for FREE!)**



1 kW Electricity



4.95 kW for Heating
(3.95 for FREE!)



(*) Energy rating A⁺⁺⁺ in heating (Range A⁺⁺⁺ - D)
(**) EN 14825. Warm climate conditions, W35

HIGH WATER TEMPERATURE

PRODUCTION UP TO 85°C



The use of the natural refrigerant R290 together with the special design of the equipment allows hot water production temperatures of 85°C to be obtained. This high production temperature allows this unit to be installed with any type of thermal emitter: underfloor heating, fan coils or even radiators.

In addition, the operating limits for low/high outside temperatures are extended, being able to work in heating down to -25°C, and in cooling down to +48°C.

DOMESTIC HOT WATER

HIGH EFFICIENCY AND CONFORT



The IDOLA LIFE M heat pump achieves the highest DHW rating: A*.

High confort with minimum cost.

It is able to produce DHW in a tank at 70°C only with the heat pump, without any external support (electric resistance or boiler).

As it stores water at a higher temperature (70°C) than a normal heat pump (50°C), it increases the capacity to provide more shower services with the same DHW tank.

Furthermore, the heat pump can carry out water disinfection treatment (anti-legionella treatment) on its own (without the support of an electrical resistance) at a lower energy cost than other equipment that does require such a resistance to do so.



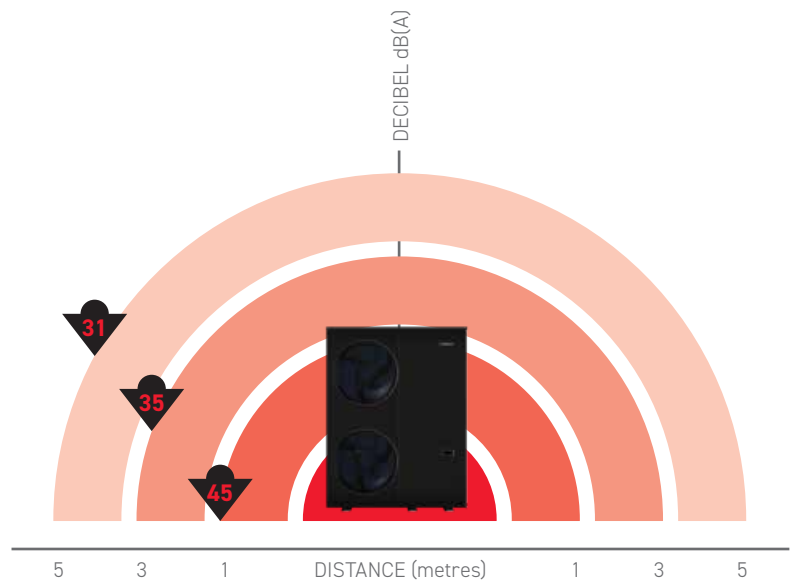
VERY QUIET

THE SOUND OF SILENCE

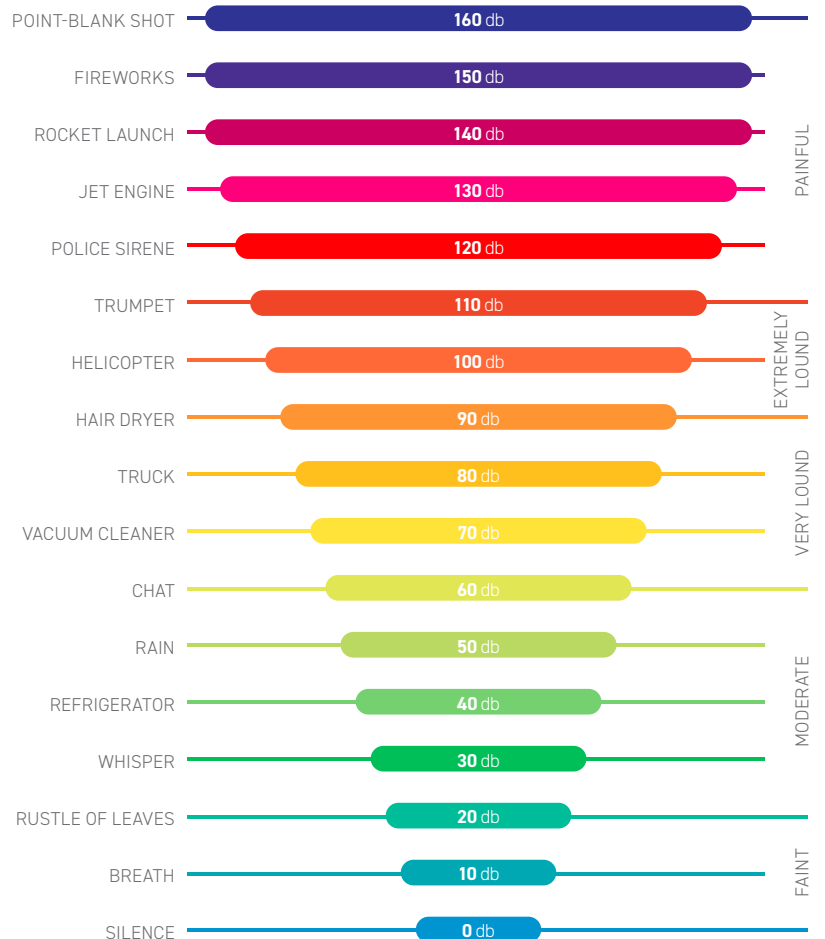
The IDOLA LIFE M heat pump achieves very low sound power level, thanks to its special design and acoustic isolation.

It's possible to select up to 2 silent modes in the control, reducing at maximum level the sound level emitted.

Its sound pressure level from as low as 35 dB(A) in quiet mode at a distance of 3 metres is similar to the sound level of a quiet conversation or the ambience of a library.



Decibel scale



CONTROL

SIMPLE, INTUITIVE AND POWERFUL AT THE SAME TIME

FUNCTIONS



The main control is a remote control (with only two connection wires) with a simple and intuitive user interface. (*)

The USB function allows the configuration of the equipment via a USB port

- Parameter setting transmission between wired controllers: Parameter setting can be copied from wired controller to USB. Installer can quickly copy the setting from one controller to another via USB
- Convenient program upgrade for unit: Installer can store the program in the USB. There is no need to carry other heavy equipment to upgrade

Wi-fi included as standard (inside remote control)

Remote control of the unit via APP (available for IOS and Android)

Weekly scheduling

Photovoltaic input

Smart Grid input

Management of up to 2 heating zones (1 mixed + 1 direct)

Cascade function (up to 6 units: 1 master + 5 slaves)

() NOTE: it is mandatory to install the remote control for the equipment to work properly.*



Scan the QR code to install the control APP

"MYIDOLA SMART"



REDUCED DIMENSIONS

EASY INTEGRATION IN THE BUILDING

The small dimensions of the IDOLA LIFE M make it easy to integrate the equipment into the building architecture



DECARBONISATION

IDEAL SOLUTION FOR HEATING DECARBONISATION IN BUILDINGS

Valid for all types of installation: Rehabilitation or New Project

The new IDOLA LIFE M, installed alone or combined with several Uds. installed in cascade, and in combination with the wide range of Lamborghini CaloreClima DHW tanks available, adapts perfectly to any installation whether it is a rehabilitation or a new construction project.

F-GAS READY SOLUTION

The new IDOLA LIFE M uses R290 as a refrigerant gas, which has a low environmental impact (GWP 3) and is out of the scope of the prohibitions and restrictions that will apply in the coming years under the F-Gas Regulation (Reg. UE 2024/523).

CONTRIBUTION TO GREEN BUILDING

The most popular green building protocols are BREEAM and LEED. The new IDOLA LIFE M can contribute to project's credits when evaluating energy efficiency of the hydronic system, thanks to inverter compressors, EC fans, etc.

Also, when evaluating the impact of refrigerant the R290 can contribute effectively due to its very low GWP (GWP=3).

Even also, the smart grid and photovoltaic connection function reduces the energy consumption when renewable energy is available. All of this would enable credits to be obtained in BREEAM and LEED.

VALID FOR DIFFERENT CENTRALIZED INSTALLATIONS

Applications: Residential buildings, light commercial, hotels, gyms

Installation: replacement or new building

Possible terminals are:

HEATING

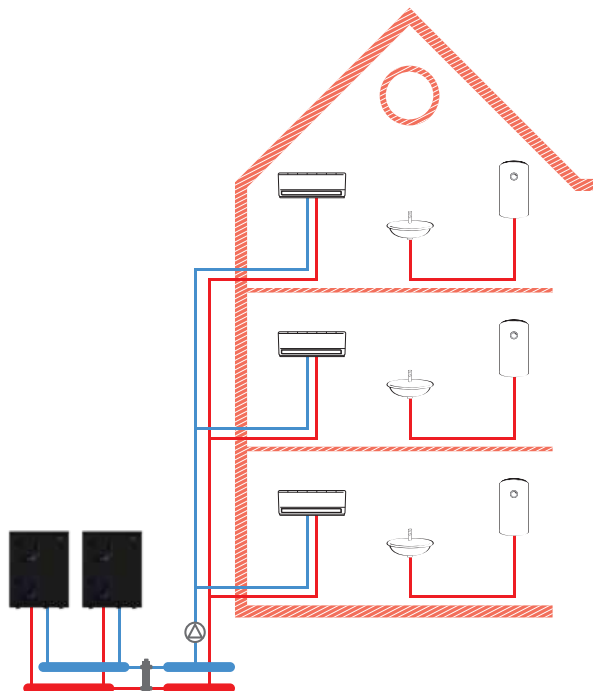
- Heating floor (30-35°C)
- Fancoils (40-45°C)
- Radiators (70°C)

COOLING

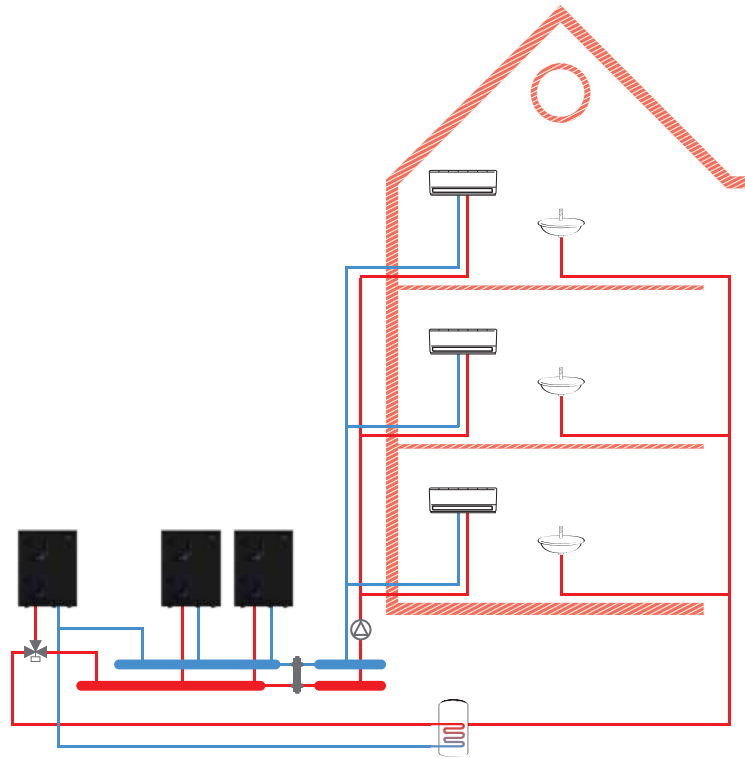
- Heating floor (23-18°C)
- Fancoils (7-12°C)

Centralized cooling and heating

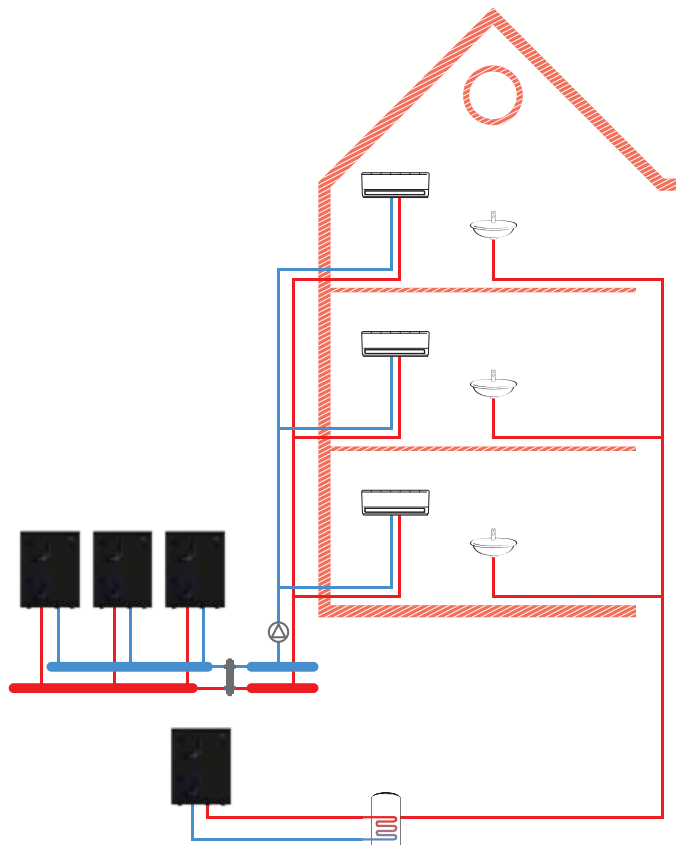
(Standard configuration)



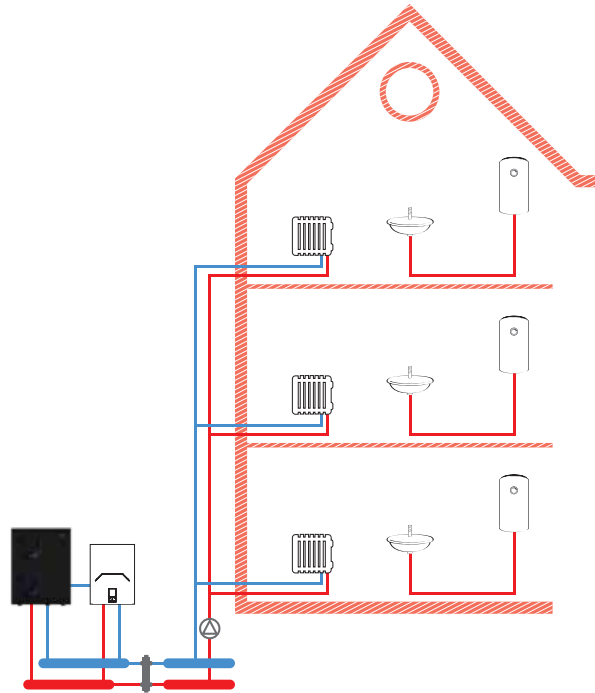
Centralized cooling, heating and DHW production



Centralized cooling, heating and DHW production
(Dedicated generator for DHW)



Centralized heating (Hybrid solution with gas boiler)



EASY INSTALLATION

RANGE OF OPTIONALS

Lamborghini CaloreClima IDOLA LIFE M heat pump is designed for easy installation. It also has a range of optional equipment that helps to reduce installation time and cost.

STANDARD ACCESSORIES INCLUDED

Temperature probe

For the integration of a supplementary heat source or to install inside a DHW storage tank

Y water filter (Assembled by the installer)

ACCESSORIES

Remote control

For the correct operation of the equipment it is essential to connect the remote control. In case of cascade installation of several units, only one control per cascade is necessary

Gas separator

This is a device to be installed on the system water delivery pipe and has the purpose of guaranteeing the rapid evacuation of the R290 refrigerant in the event of breakage of the plate exchanger. This allows you to comply with the requirements for correct installation, as set out in the IEC 60335-2-40 standard

Water temperature probe







The temperature probe can be connected to perform the functions T1 / Tbt1 / Tbt2 / T5 / Tw2 / Tsolar (for more details refer to the installation and user manual of the unit)

Rubber antivibration Trapezoidal dampers



TECHNICAL DATA

SUMMARY TABLE IDOLA LIFE M

IDOLA LIFE M			26T	30T	35T
Space heating application	Low temperature (Water outlet at 35°C)	ηs (%)	195	194	176
		Class			
		SCOP	4.95	4.93	4.48
	Medium temperature (Water outlet at 55°C)	ηs (%)	151	149	142
		Class			
		SCOP	3.85	3.80	3.63
Space cooling application	Low temperature (Water outlet at 7°C)	ηs (%)	205	197	190
		SEER	5.20	5.00	4.83
	Medium temperature (Water outlet at 18°C)	ηs (%)	284	269	254
		SEER	7.18	6.80	6.43

NOTE:

The efficiency, SCOP, and SEER values shown in the table refer to the average climate and to units without optional features or accessories. Efficiency class calculated in accordance with European Regulation 811/2013.

PERFORMANCE DATA			26T	30T	35T
A7W35	Heating capacity	kW	26	30	35
	Power input	kW	5.45	6.67	8.40
	COP	W/W	4.77	4.50	4.17
	Water flow rate	l/h	4472	5160	6020
	Available static pressure	kPa	71	55	31
A7W45	Heating capacity	kW	26	30	35
	Power input	kW	6.82	8.26	10.05
	COP	W/W	3.81	3.63	3.48
	Water flow rate	l/h	4472	5160	6020
	Available static pressure	kPa	71	55	31
A7W55	Heating capacity	kW	26	30	35
	Power input	kW	7.85	9.57	11.75
	COP	W/W	3.31	3.13	2.98
	Water flow rate	l/h	2795	3225	3763
	Available static pressure	kPa	98	93	85
A35W18	Heating capacity	kW	26	30	35
	Power input	kW	5.60	6.80	8.50
	EER	W/W	4.64	4.41	4.12
	Water flow rate	l/h	4472	5160	6020
	Available static pressure	kPa	71	55	31
A35W7	Heating capacity	kW	26	30	32
	Power input	kW	8.40	10.70	11.98
	EER	W/W	3.10	2.80	2.67
	Water flow rate	l/h	4472	5160	5504
	Available static pressure	kPa	71	55	46

NOTE: The values refer to units without optional features or accessories. Data declared in accordance with EN 14511:

EER (Energy Efficiency Ratio): ratio of cooling capacity to power input

COP (Coefficient of Performance): ratio of heating capacity to power input

A7W35: source: air at 7°C d.b. / 6°C w.b. - system: water in 30°C / out 35°C

A7W45: source: air at 7°C d.b. / 6°C w.b. - system: water in 40°C / out 45°C

A7W55: source: air at 7°C d.b. / 6°C w.b. - system: water in 47°C / out 55°C

A35W18: source: air at 35°C d.b. - system: water in 23°C / out 18°C

A35W7: source: air at 35°C d.b. - system: water in 12°C / out 7°C

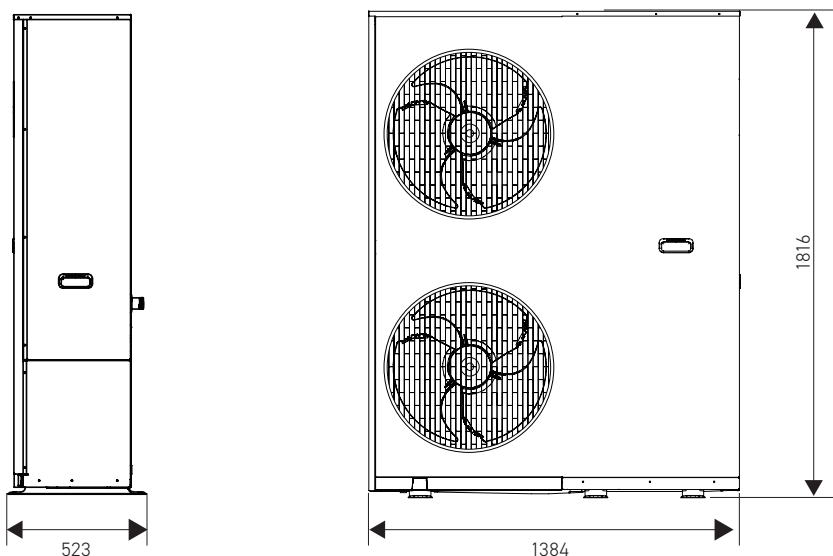
TECHNICAL DATA

SUMMARY TABLE IDOLA LIFE M

GENERAL DATA		26T	30T	35T
Power supply	V-ph-Hz	380/415-3-50		
Compressor type	-	Twin rotary DC		
N° compressors / N° refrigerant circuits	n	1 / 1		
Plant side heat exchanger type	-	Stainless steel brazed plates		
Source side heat exchanger type	-	Finned coil		
N° and type fans	-	2 x DC axial		
Expansion tank volume	l	5		
Water safety valve set	bar	3		
Hydraulic fittings	"	1" 1/4		
Minimum water content of the system	l	104	120	140
DHW storage tank - minimum surface of the coil	steel (m ²)	3.5		
	enameled (m ²)	5.5		
Refrigerant type	type	R290		
Refrigerant GWP	kg CO ₂ eq	3		
	kg	2.9		
Refrigerant charge	ton CO ₂ eq	0.0087		
	-	Remote control (wired)		
Control type	-	Remote control (wired)		
SWL - Sound Power level (EL)	dB(A)	69	74	75
SWL - Heating (*)	A7W35	70	75	76
	Max	75	75	76
	Sil. 1	63	65	66
SWL - Cooling (*)	A35W18	70	74	74
	Max	75	76	75
	Sil. 1	66	67	68
SWL - Cooling (*)	Sil. 2	62	62	64
	Sil. 2	62	63	65
Max current input	A	28	30	32

(*) SWL = Sound Power level, with reference to 1×10^{-12} W with unit operating in conditions: **A7W35** = source air in 7°C d.b. 6°C w.b. / plant: water in 30°C out 35°C **A35W18** = source: air in 35°C d.b. / plant: water in 23°C out 18°C **Max** = at maximum conditions in heating / cooling mode **Sil 1** = if silent level 1 active in heating / cooling mode **Sil 2** = if silent level 2 active in heating / cooling mode - The total sound power level in dB(A) measured in compliance with ISO 9614 standards **EL** = Value indicated on the Energy Label

DIMENSIONS



PACKAGING DATA	26T	30T	35T
L (Length)	570	570	570
H (Height)	2000	2000	2000
D (Depth)	1480	1480	1480
Net / Gross weight (kg)	245 / 265	245 / 265	245 / 265



The illustrations and data provided are indicative. Lamborghini CaloreClima reserves the right to make any changes deemed to be most appropriate for the improvement of the product or of the service offered without being obliged to give prior notice.

The images in this catalogue are under copyright owned by Lamborghini CaloreClima.